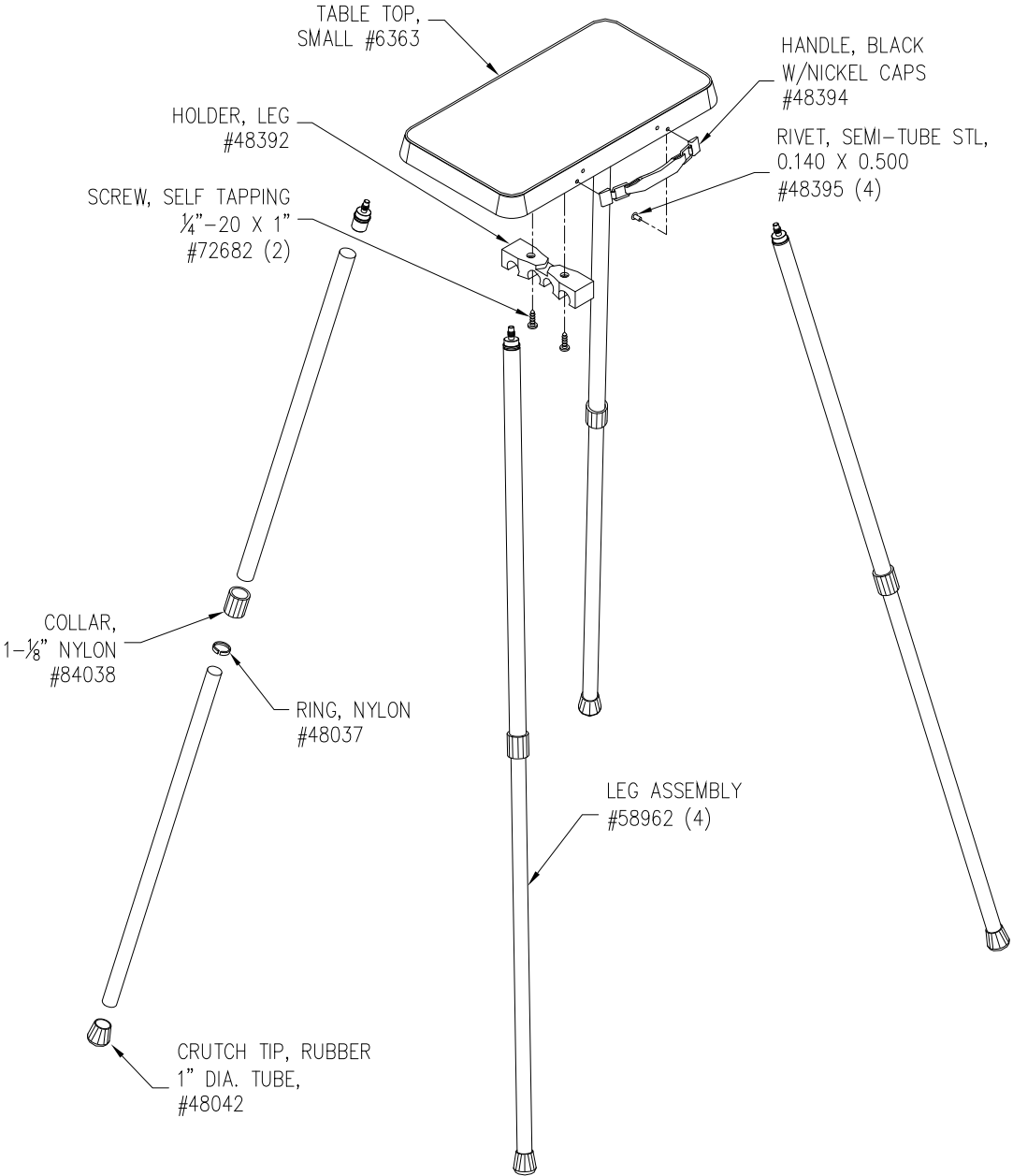


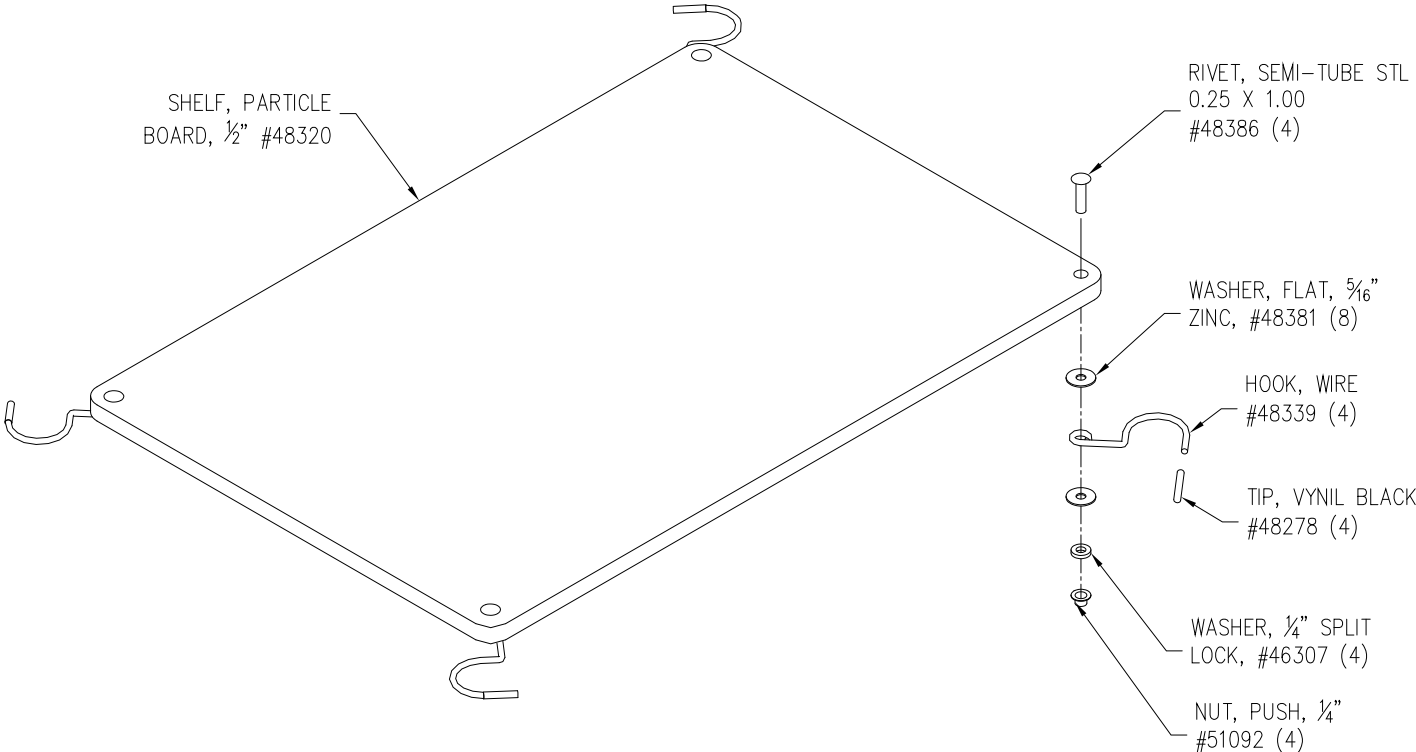
203 PROJECT-0-STAND (42068)

REVISION:
INST. SHEET: 48551



208 ACCESSORY SHELF (42071)

REVISION:
INST. SHEET: 48408



425 DELUXE (42067) PROJECT-0-STAND

REVISION:
INST. SHEET: 48551

